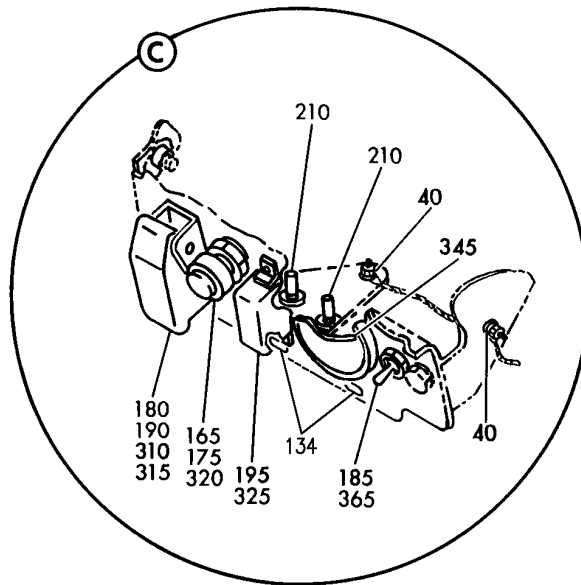
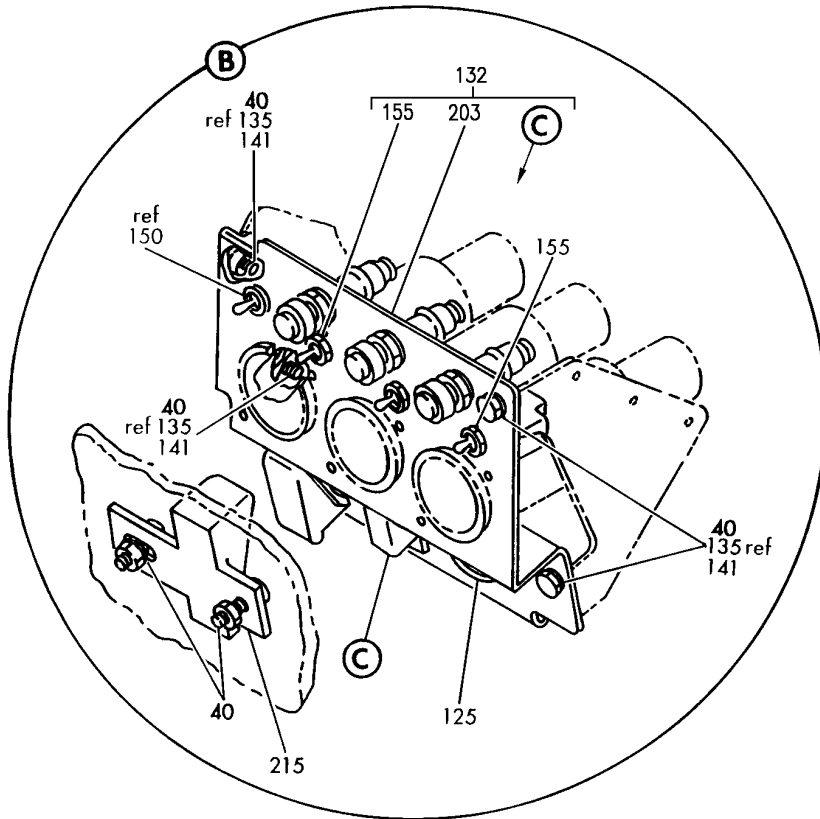


0 28210002 SHT 2 REV 170



CONTROL STATION INSTL PRESSURE FUELING AND WING REFUELING PANEL INSTL (DISTRIBUTION ONLY)
FIGURE 2 (SHEET 2)

SWL
JUL 12/07

28-21-00-02

28-21-00-02
PAGE 0A

FIG ITEM	PART NUMBER	1 2 3 4 5 6 7	NOMENCLATURE	EFFECT FROM TO	UNITS PER ASSY
2			CONTROL STATION INSTL PRESSURE FUELING AND WING REFUELING PANEL INSTL (DISTRIBUTION ONLY)		
- 5	65C26903-1		CONTROL STATION INSTL- PRESSURE FUELING (DISTRIBUTION ONLY) VARIABLE DRAWING REF: 65C26903-9 65C26903-16 65C26903-20 FOR NHA/OTHER SYS DET SEE: 57-10-00-02A		RF
10	1002BB6		. JUMPER-BONDING SUPPLIER CODE: V1FF12 SPECIFICATION NUMBER: BACJ40A20-6 OPTIONAL PART: CE6E V79550 30362 V00779	930937 953954 956990	3
10	1002BB7		. JUMPER ASSY-BONDING SUPPLIER CODE: V1FF12 SPECIFICATION NUMBER: BACJ40A20-7 OPTIONAL PART: CE7E V79550 30363 V00779	523929 938952 955955 991999	3
20	1002BB5		. JUMPER ASSY-BONDING SUPPLIER CODE: V1FF12 SPECIFICATION NUMBER: BACJ40A20-5 OPTIONAL PART: CE5E V79550 30361 V00779	930937 953954 956990	1
ILLUSTRATION ITEMS NOT ON PARTS LIST ARE NOT APPLICABLE					

- ITEM NOT ILLUSTRATED

SWL

28-21-00-02

BOEING PROPRIETARY - Copyright © - Unpublished Work - See title page for details.

28-21-00
FIG. 02
PAGE 1
SEP 25/10

FIG ITEM	PART NUMBER	1 2 3 4 5 6 7	NOMENCLATURE	EFFECT FROM TO	UNITS PER ASSY
2	20 1002BB7		. JUMPER ASSY-BONDING SUPPLIER CODE: V1FF12 SPECIFICATION NUMBER: BACJ40A20-7 OPTIONAL PART: CE7E V79550 30363 V00779	523929 938952 955955 991999	1
	25 RBEJ40K5A5A5		. JUMPER-BONDING SUPPLIER CODE: V1GK47 SPECIFICATION NUMBER: BACJ40K5A5A5	523929 938952 991999	1
	25 1002BB3		. JUMPER ASSY- SUPPLIER CODE: V1FF12 SPECIFICATION NUMBER: BACJ40A20-3 OPTIONAL PART: CE3E V79550 30359 V00779	930937 953954	1
	25 RBEJ40K5A5A8		. JUMPER ASSY- SUPPLIER CODE: V1GK47 SPECIFICATION NUMBER: BACJ40K5A5A8 ATTACHING PARTS	955955	1
	30 NAS1801-3-8		. SCREW		7
	35 NAS1801-3-10		. SCREW		1
	40 AN960D10L		. WASHER		15
	45 AN960PD10		. WASHER		3

ILLUSTRATION ITEMS NOT ON PARTS LIST ARE NOT APPLICABLE

- ITEM NOT ILLUSTRATED

SWL

28-21-00-02

BOEING PROPRIETARY - Copyright © - Unpublished Work - See title page for details.

28-21-00
FIG. 02
PAGE 2
SEP 25/10

FIG ITEM	PART NUMBER	1 2 3 4 5 6 7	NOMENCLATURE	EFFECT FROM TO	UNITS PER ASSY
2					
50	BRH10A3		.NUT SUPPLIER CODE: V52828 SPECIFICATION NUMBER: BACN10JC3 OPTIONAL PART: H10-3BAC V15653 NS202101-02 V80539 RMLH9075-3W V72962 VN303A02 V92215 96-02 V80539 T6S1032J V11815 -----*-----		6
55	NAS6604-11		.BOLT		1
60	NAS6604-15		.BOLT		1
65	65-46512-10		.WASHER	523952 955955 991999	3
70	65-46512-10		.WASHER	953954 956990	4
75	AN960PD416L		.WASHER		2
80	AN960JD3016		.WASHER		1
85	BACS40U4L3		.SHIM		AR
90	BACB28AK04-063		.BUSHING		1
95	BACB28AK04-096		.BUSHING		1
100	MS29513-228		.PACKING		4
105	BACN10DRG24D		.NUT		4
110	2670150-5		.MANIFOLD ASSY- SUPPLIER CODE: V92003 FUNCTIONAL DESCRIPTION: CONTROLS AND DISTRIBUTES THE FLOW OF FUEL FROM A SINGLE INLET TO ALL TANKS ON THE AIRCRAFT. SPECIFICATION NUMBER: 10-61393-5 COMPONENT MAINT MANUAL REF: 28-20-01 FOR DETAILS SEE: 28-20-01-02		1
ILLUSTRATION ITEMS NOT ON PARTS LIST ARE NOT APPLICABLE					

- ITEM NOT ILLUSTRATED

SWL

28-21-00-02

BOEING PROPRIETARY - Copyright © - Unpublished Work - See title page for details.

28-21-00
FIG. 02
PAGE 3
SEP 25/09

FIG ITEM	PART NUMBER	1 2 3 4 5 6 7	NOMENCLATURE	EFFECT FROM TO	UNITS PER ASSY
2 110	2670150-3		.MANIFOLD ASSY- SUPPLIER CODE: V92003 FUNCTIONAL DESCRIPTION: CONTROLS AND DISTRIBUTES THE FLOW OF FUEL FROM A SINGLE INLET TO ALL TANKS ON THE AIRCRAFT. SPECIFICATION NUMBER: 10-61393-3 FOR DETAILS SEE: 28-20-01-02		1
115 120	MS90298-2 MBG59235		.CONNECTOR .CLAMP ASSY SUPPLIER CODE: V98625 SPECIFICATION NUMBER: BACC10EL3 OPTIONAL PART: 640003 V91893		1 3
125	MBG59235		.CLAMP ASSY SUPPLIER CODE: V98625 SPECIFICATION NUMBER: BACC10EL3 OPTIONAL PART: 640003 V91893	930937 953955	1
130	69-73588-10		.PANEL ASSY-INSTR SUPPLIER CODE: V89954	523929 938952 956999	1
132	69-73588-9		.PANEL ASSY-INSTR VAR SUPPLIER CODE: V89954	930937 953955	1
134	BAC27DCC351		.MARKER- PLACARD CONTENT: INOP POST SERVICE BULLETIN: 28-1099 ATTACHING PARTS	930937	2
135	NAS6603-3		.BOLT -----*-----		4
140	AN960PD10L		.WASHER		2
141	AN960PD10L		.WASHER		4
142	AN960PD10		.WASHER		2

ILLUSTRATION ITEMS NOT ON PARTS LIST ARE NOT APPLICABLE

- ITEM NOT ILLUSTRATED

SWL

28-21-00-02

BOEING PROPRIETARY - Copyright © - Unpublished Work - See title page for details.

28-21-00
FIG. 02
PAGE 4
SEP 25/09

FIG ITEM	PART NUMBER	1 2 3 4 5 6 7	NOMENCLATURE	EFFECT FROM TO	UNITS PER ASSY
2			ATTACHING PARTS		
145	BRH10A3		.NUT SUPPLIER CODE: V52828 SPECIFICATION NUMBER: BACN10JC3 OPTIONAL PART: H10-3BAC V15653 NS202101-02 V80539 RMLH9075-3W V72962 VN303A02 V92215 96-02 V80539 T6S1032J V11815 -----*-----		2
150	MS24525-27		..SWITCH		1
155	MS24523-23		..SWITCH		3
160	65-0028-11		..LIGHT-TEST SUPPLIER CODE: V72914		3
165	65-0028-11		..LIGHT-TEST SUPPLIER CODE: V72914	930937 953955	1
170	1864		..BULB- SUPPLIER CODE: V71744		3
175	1864		..BULB- SUPPLIER CODE: V71744	930937 953955	1
180	MS24525-23		..SWITCH	930937 953955	1
185	MS24523-28		..SWITCH	930937 953955	1
190	MS25224-1		..GUARD-SWITCH	930937 953955	1
ILLUSTRATION ITEMS NOT ON PARTS LIST ARE NOT APPLICABLE					

- ITEM NOT ILLUSTRATED

SWL

28-21-00-02

BOEING PROPRIETARY - Copyright © - Unpublished Work - See title page for details.

28-21-00
FIG. 02
PAGE 5
SEP 25/09

FIG ITEM	PART NUMBER	1 2 3 4 5 6 7	NOMENCLATURE	EFFECT FROM TO	UNITS PER ASSY
2 195	ES210-1632		..RELAY SUPPLIER CODE: V99699 SPECIFICATION NUMBER: BACR13CF2AB OPTIONAL PART: JD4L018 V35344 JD4L031 V35344 BR246S0111 V56623 BR64S105 V56623 FCA210-71 V78290 61GB2319-1A320 V98927	930937 953955	1
200	69-38717-17		..PANEL ASSY	523929 938952 956999	1
203	69-74993-5		..PANEL ASSY- SUPPLIER CODE: V89954	930937 953955	1
205	VNS1924CA1-8		...STUD SUPPLIER CODE: V5M902 SPECIFICATION NUMBER: BACS53B1EA1 OPTIONAL PART: VNS1924CA3-1-8 V92215	523929 938952 956999	1
210	VNS1924CA1-8		...STUD SUPPLIER CODE: V5M902 SPECIFICATION NUMBER: BACS53B1EA1 OPTIONAL PART: VNS1924CA3-1-8 V92215	930937 953955	2
215	69-64189-2		.BUMPER-TG	930937 953955	1
- 220	BACB30NN3K6		ATTACHING PARTS .BOLT	930937 953955	2
- 225	AN960KD10L		.WASHER	930937 953955	2

ILLUSTRATION ITEMS NOT ON PARTS LIST ARE NOT APPLICABLE

- ITEM NOT ILLUSTRATED

SWL

28-21-00-02

BOEING PROPRIETARY - Copyright © - Unpublished Work - See title page for details.

28-21-00
FIG. 02
PAGE 6
SEP 25/09

FIG ITEM	PART NUMBER	1 2 3 4 5 6 7 NOMENCLATURE	EFFECT FROM TO	UNITS PER ASSY
2 - 230	BRH10C3D	.NUT SUPPLIER CODE: V52828 SPECIFICATION NUMBER: BACN10JC3CD OPTIONAL PART: T6C1032JCD V11815 NS202486-02 V80539 102LH9075-3W V72962 H51650-3BAC V15653 -----*-----	930937 953955	2
ILLUSTRATION ITEMS NOT ON PARTS LIST ARE NOT APPLICABLE				

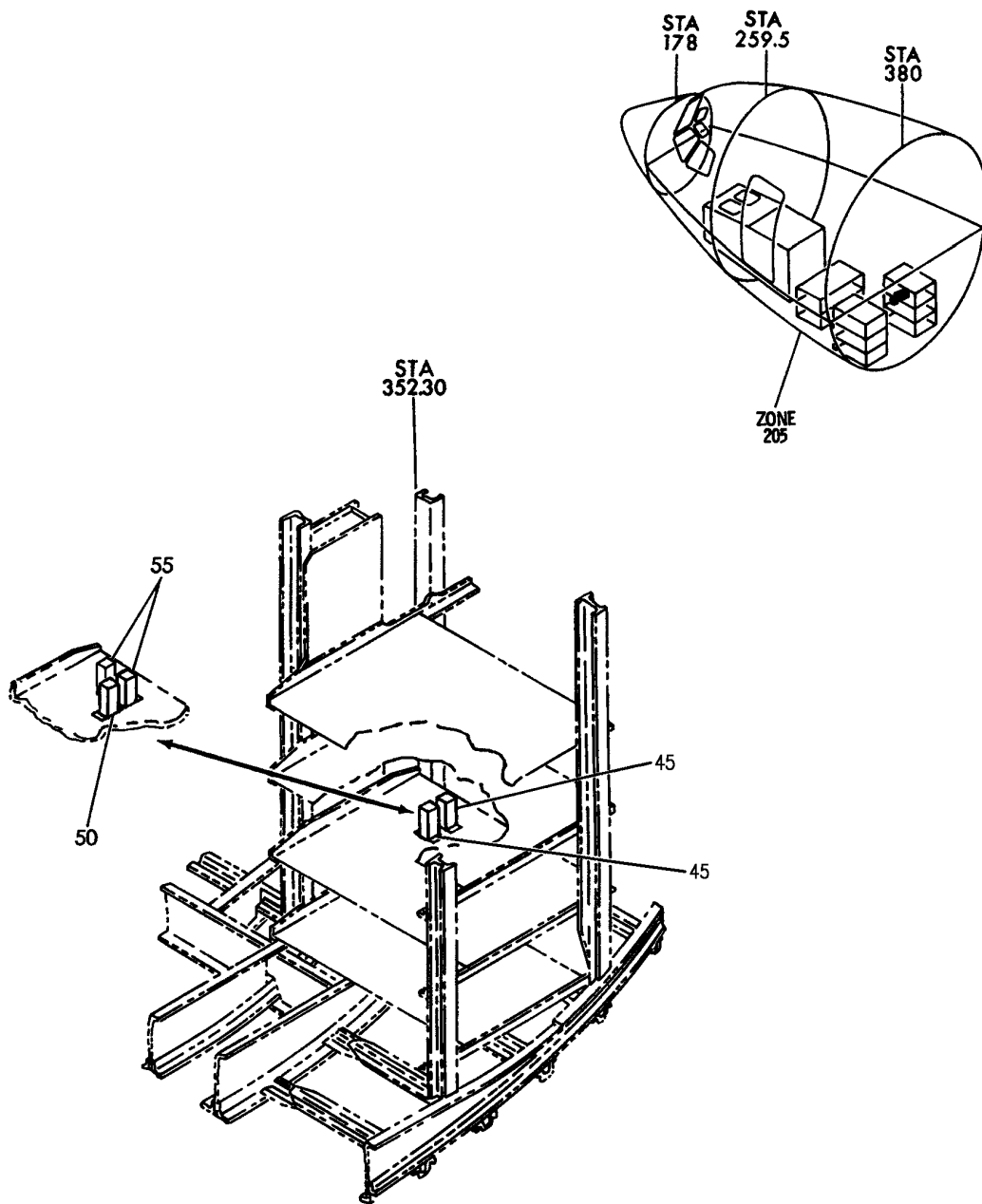
- ITEM NOT ILLUSTRATED

SWL

28-21-00-02

BOEING PROPRIETARY - Copyright © - Unpublished Work - See title page for details.

28-21-00
FIG. 02
PAGE 7
SEP 25/09



0 28215001 REV 224

EQUIPMENT INSTL-ELECT. RACKS (FUEL ONLY)

FIGURE 1

28-21-50-01

SWL
MAR 25/09

28-21-50-01
PAGE 0

FIG ITEM	PART NUMBER	1 2 3 4 5 6 7	NOMENCLATURE	EFFECT FROM TO	UNITS PER ASSY
1			EQUIPMENT INSTL-ELECT. RACKS (FUEL ONLY)		
- 1	65C33300-418		EQUIPMENT INSTL-ELECT. RACKS (FUEL ONLY) FOR NHA/OTHER SYS DET SEE: 24-00-00-01E	956990	RF
- 35	65C33300-405		EQUIPMENT INSTL-ELECT. RACKS (FUEL ONLY) FOR NHA/OTHER SYS DET SEE: 24-00-00-01E	930937 953955	RF
- 41	65C33300-434		EQUIPMENT INSTL-ELECT. RACKS (FUEL ONLY) FOR NHA/OTHER SYS DET SEE: 24-00-00-01E	523929 938952	RF
- 41	65C33300-437		EQUIPMENT INSTL-ELECT. RACKS (FUEL ONLY) FOR NHA/OTHER SYS DET SEE: 24-00-00-01E	991999	RF
R R R R R R R R R R R R R R R R R R R R	45 ES410-1538		.RELAY- SUPPLIER CODE: V99699 SPECIFICATION NUMBER: BACR13CG2AB OPTIONAL PART: KD4L018 V35344 BR230DS0115 V56623 KD4L036 V58657 FCA410-63 V78290 ELECTRICAL EQUIP NUMBER: R00010 R00011	523929 938952 956999	2
ILLUSTRATION ITEMS NOT ON PARTS LIST ARE NOT APPLICABLE					

- ITEM NOT ILLUSTRATED

SWL

28-21-50-01

BOEING PROPRIETARY - Copyright © - Unpublished Work - See title page for details.

28-21-50
FIG. 01
PAGE 1
SEP 25/12

FIG ITEM	PART NUMBER	1 2 3 4 5 6 7	NOMENCLATURE	EFFECT FROM TO	UNITS PER ASSY
1 50	ES410-1538		.RELAY- SUPPLIER CODE: V99699 SPECIFICATION NUMBER: BACR13CG2AB OPTIONAL PART: KD4L018 V35344 BR230DS0115 V56623 KD4L036 V58657 FCA410-63 V78290 ELECTRICAL EQUIP NUMBER: R00144	930937 953955	1
55	ES410-1538		.RELAY- SUPPLIER CODE: V99699 SPECIFICATION NUMBER: BACR13CG2AB OPTIONAL PART: KD4L018 V35344 BR230DS0115 V56623 KD4L036 V58657 FCA410-63 V78290 ELECTRICAL EQUIP NUMBER: R00010 R00011	930937 953955	2

ILLUSTRATION ITEMS NOT ON PARTS LIST ARE NOT APPLICABLE

- ITEM NOT ILLUSTRATED

SWL

28-21-50-01

BOEING PROPRIETARY - Copyright © - Unpublished Work - See title page for details.

28-21-50
FIG. 01
PAGE 2
MAR 25/09

以上内容仅为本文档的试下载部分，为可阅读页数的一半内容。如要下载或阅读全文，请访问：<https://d.book118.com/457152004030006150>