

SPECIFICATIONS

TITLE : 6,4" TFT COLOR MODULE

NUMBER : HLD 0604 HIBRITE REV.A PAGE 2

CONTENTS

1. OUTLINE

- 1-1 Scope
- 1-2 Features
- 1-3 Block Diagram

2. ABSOLUTE MAXIMUM RATINGS

3. DISPLAY CHARACTERISTICS

- 3-1 Physical Dimensions
- 3-2 Electro-Optical Characteristics
- 3-3 Electrical Characteristics

4. DEFINITION AND MEASURING METHOD

- 4-1 Viewing Angle
- 4-2 Optical Measurement
- 4-3 Contrast Ratio
- 4-4 Response Time
- 4-5 Reflectance
- 4-6 Brightness and Brightness Uniformity
- 4-7 Supply Current

5. ENVIRONMENTAL AND RELIABILITY DATA

- 5-1 Environmental
- 5-2 Reliability Test Item and Condition
- 5-3 Standards

6. APPLICABLE OTHER DOCUMENTS

7. CAUTION AND HANDLING PRECAUTION

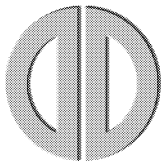
- 7-1 Handling
- 7-2 Storage
- 7-3 Operation
- 7-4 Others

8. WARRANTY

- 8-1 Incoming Inspection
- 8-2 Warranty Period

9. OTHERS

10. DRAWING



SPECIFICATIONS

TITLE : 6,4" TFT COLOR MODULE

NUMBER : HLD 0604 HIBRITE REV.A PAGE 3

1. OUTLINE

1-1 Scope

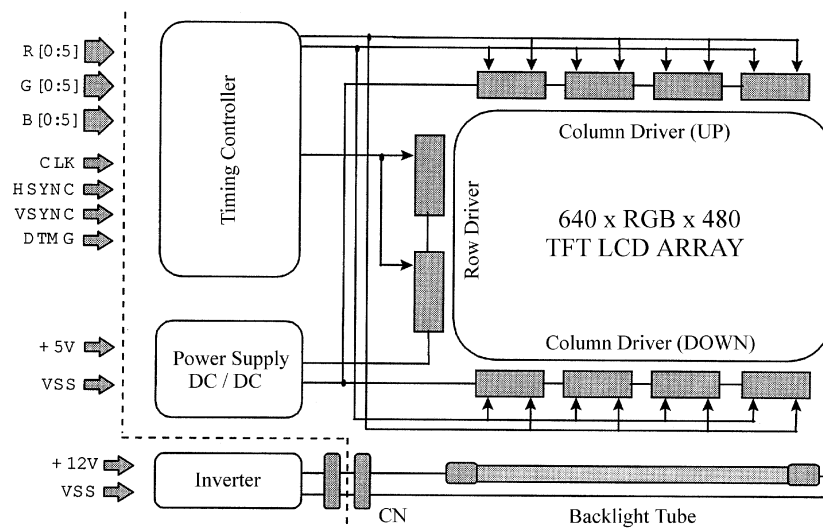
This specification shall be applied to Data Displays Color Active Dot Matrix Liquid Crystal Display (ALCD) with CCFL backlight

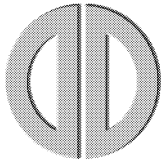
1-2 Features

Display Mode	Transmissive type normally white mode
Display Format	640 (x3) x 480 Dots
Screen Area	130,56 x 97,92 mm (163,2 mm diagonal)
Display Outline	168,0 x 123,0 x 9,0 mm (typ.)
Contrast Ratio	150:1 (typ.)
Brightness	>200 cd/m ² (typ) / If = 5 mA
Response Time	Tr = 20ms (typ) / Tf = 35 ms (typ)
Color Pixel Arrangement	RGB vertical stripes
Display Surface	Low reflection type, antiglare with hard coating (2H)
Number of Colors	262.144 colors (6 bits for each RGB subpixel)
Contrast Setting	Maximum setting
Viewing Direction	6:00 o' clock (Maximum contrast direction)
Interface	5V CMOS logic
Backlight	CCFL top edgelight system

1-3 Block Diagram

1-3-1 Display



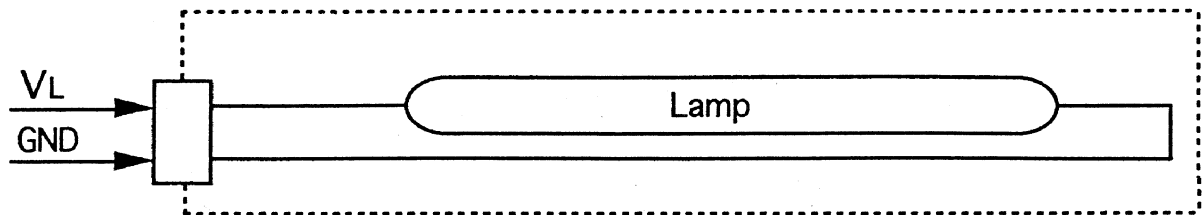


SPECIFICATIONS

TITLE : 6,4" TFT COLOR MODULE

NUMBER : HLD 0604 HIBRITE REV.A PAGE 4

1-3-2 Backlight Unit



2. ABSOLUTE MAXIMUM RATINGS

Item	Symbol	Specification	Unit	Remark
Storage Temperature	T _{st}	-25 ... 70	°C	
Humidity *	RH	95 max	%	≤ 40°C
Operating Temperature	T _{op}	0 ... 60**	°C	
Humidity *	RH	95 max	%	≤ 40°C
Supply Voltage	V _{DD}	+4.5 ... +5.5		T _a =25°C
Input Voltage	V _I	0V ... V _{DD}	V	

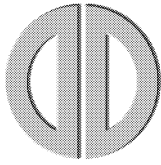
* Notes :

The relative humidity must not exceed 80% non-condensing at temperatures of 50°C or less
At temperatures higher than 40°C the wet bulb temperature must not exceed 49°C

The unit should not be exposed to corrosive chemicals

See section "5 Reliability" for other conditions

** Optical values (contrast, response time, brightness, viewing angle) maybe influenced in lower and upper Top



SPECIFICATIONS

TITLE : 6,4" TFT COLOR MODULE

NUMBER : HLD 0604 HIBRITE REV.A PAGE 5

3. DISPLAY CHARACTERISTICS

3-1 Physical Dimensions

Item	Standard Value	Unit
Display Pixels	640 (x3RGB) x 480	dots
Pixel Pitch	0,204 x 0,204	mm
Screen Area	134,6 x 102,0	mm
Active Area	130,56 x 97,92 (6,4" diagonal)	mm
Display Outline	168,0 x 123,0 x 9,0	mm
Weight	230 (typ.)	grams

3-2 Electro-Optical Characteristics

Item	Condition	Symbol	Min	Typ	Max	Unit	
Contrast Ratio	$\theta=0^\circ, \phi=0^\circ$	CR	100	150	-	-	
Viewing Angle	X axis right	CR > 5	-	50	-	degree	
	X axis left	CR > 5	-	50	-	degree	
	Y axis up	CR > 5	-	15	-	degree	
	Y axis down	CR > 5	-	35	-	degree	
Response Time	Rise	$25^\circ\text{C} \pm 2,5^\circ\text{C}$	T_r	-	20	50	ms
	Fall	$\theta=0^\circ, \phi=0^\circ$	T_f	-	35	50	ms
Brightness (5 point average)	see 3-3-2 (typ)		200			cd/m^2	
Brightness Variation	see note d)		-		1.4		
Chromaticity (CIE 1931)	White x	x	0.292	0.322	0.352		
	White y	y	0.289	0.319	0.349		
	Red x	y	0.557	0.587	0.617		
	Red y	x	0.322	0.352	0.382		
	Green x	y	0.254	0.284	0.314		
	Green y	x	0.522	0.552	0.582		
	Blue x	y	0.114	0.144	0.174		
	Blue y	x	0.092	0.122	0.152		

Note : Measurements made after 30 min in a dark environment at RT

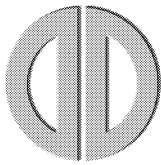
RT means Room Temperature ($25^\circ\text{C} \pm 5^\circ\text{C}$)

a) If not specially mentioned, CCFL supply current (I_f) shall be referred to section 3-3-2

b) Refer to section 4 for definitions and other information

c) If not specially mentioned, condition of temperature is RT ($20^\circ\text{C} \dots 30^\circ\text{C}$)

d) The variation in surface brightness is determined by measuring B_{ON} at each test position 0...9 and then dividing the maximum B_{ON} of 9 points luminance by the minimum B_{ON} of 9 points luminance.



SPECIFICATIONS

TITLE : 6,4" TFT COLOR MODULE

NUMBER : HLD 0604 HIBRITE REV.A PAGE 6

3-3 Electrical Characteristics

3-3-1 Display

Item	Symbol	Min	Typ	Max	Unit	Remark
Supply Voltage	V _{DD}	4,5	5,0	5,5	V	V _{DD} ± 10%
Supply Power	P _{DD}	-	0,56	0,75	W	DCLK=25MHz
"High" Input Voltage	V _{Ih}	0,7V _{DD}	-	V _{DD}	V	INPUT SIGNALS : DE,VS,HS,DCCLK R0...R5 / G0...G5 B0...B5
"Low" Input Voltage	V _{Il}	V _{SS}	-	0.3V _{DD}	V	
Input Leakage Current	I _{CL,ICh}	-20	-	20	µA	
Input Capacitance	C _i			120	pF	
Supply Current Note : *1	I _{DD}	-	180	280	mA	V _{DD} =5V,T _{OP} =25°C DCLK=25 MHz

Note :

*1 The supply current is measured with an 8 gray scale bar check pattern

3-3-2 CCFL Backlight

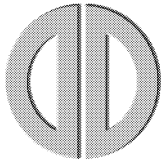
Item	Symbol	Min	Typ	Max	Unit	Remark
Lamp Current	I _f	3.0	5.0	9.0	mA	
Lamp Voltage	V _L	-	355	385	V _{rms}	*3
Power Consumption	P _L	-	1.75	2.9	W _{rms}	
Starting Voltage				680 860	V _{rms}	25°C ± 2°C 0°C ± 2°C
Driving Frequency		35	55	80	kHz	*2
Life (half brightness time)		20.000	25.000		h	

Note :

*2 : Lamp frequency may produce interference with horizontal sync frequency and may cause beat on the display. Therefore lamp frequency shall be detached from the HSYNC and from the harmonics of HSYNC to avoid interference.

Recommended Inverters :

ZU 01 002	CXA-L10A (5V)
ZU 01 003	CXA-L10L (12V)
ZU 01 083	CXA L0505N JL
ZU 01 084	CXA L0512N JL



SPECIFICATIONS

TITLE : 6,4" TFT COLOR MODULE

NUMBER : HLD 0604 HIBRITE REV.A PAGE 7

3-3-3 Interface Description Display

Connector (CN1) for display

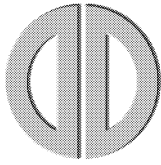
Manufacturer : HIROSE ELECTRIC CO., LTD

Part Number : DF9B-31P-1V Matching Connector : DF9B-31S-1V

Pin No.	Signal Name	Function
1	GND	Ground
2	DCLK	Dot Clock
3	HS	Horizontal Sync
4	VS	Vertical Sync
5	GND	Ground
6	R0 (LSB)	Red Data 0
7	R1	Red Data 1
8	R2	Red Data 2
9	R3	Red Data 3
10	R4	Red Data 4
11	R5 (MSB)	Red Data 5
12	GND	Ground
13	G0 (LSB)	Green Data 0
14	G1	Green Data 1
15	G2	Green Data 2
16	G3	Green Data 3
17	G4	Green Data 4
18	G5 (MSB)	Green Data 5
19	GND	Ground
20	B0 (LSB)	Blue Data 0
21	B1	Blue Data 1
22	B2	Blue Data 2
23	B3	Blue Data 3
24	B4	Blue Data 4
25	B5 (MSB)	Blue Data 5
26	GND	Ground
27	DTMG	Data Timing Signal
28	V _{DD}	Power Supply
29	V _{DD}	Power Supply
30	OAS	Connected to V _{DD}
31	NC	No Connection (leave open)

Connect all Ground pins together and to metal frame. Connect all V_{DD} pins together
The signals DTMG, HS and VS should be supplied simultaneously.

Available Interfaces : ZU 02 007 IF 107 31 pin HIROSE to 30 pin FFC
ZU 02 040 IF 151 LVDS interface (15 pin HIROSE connector)



SPECIFICATIONS

3-3-4 Interface Description Backlight

Connector (CN2) for backlight

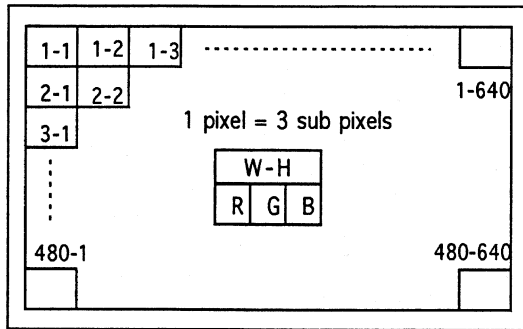
Manufacturer : JAPAN SOLDERLESS TERMINAL MFG. CO. LTD (JST)

Part Number : BHR-03VS-1 Matching Part : SM02(8.0)B-BHS-1

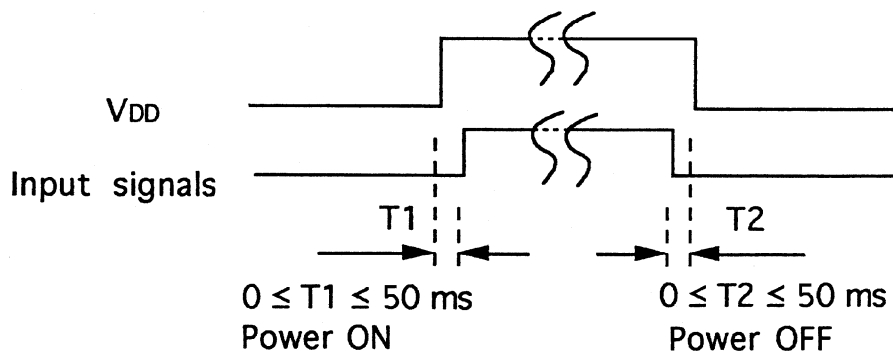
Pin No.	Signal Name	Function
1	HV	Power Supply (pink wire)
2	NC	No Connection
3	LV	Ground

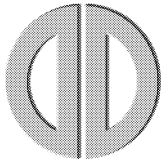
3-3-5 Data Input Format

Display Position of Input Data (W-H)



3-3-6 Power ON/OFF Sequential Timing





SPECIFICATIONS

TITLE : 6,4" TFT COLOR MODULE

NUMBER : HLD 0604 HIBRITE REV.A PAGE 9

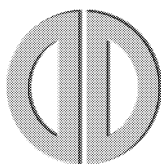
3-3-7 Data Signal, Basic Color and Gray Scale of Each Color

Basic Color	Data Signal																	
	R5	R4	R3	R2	R1	R0	G5	G4	G3	G2	G1	G0	B5	B4	B3	B2	B1	B0
Black	0	0	0	0	0	0	0	0	0	0	0	0	0	0	0	0	0	0
Blue	0	0	0	0	0	0	0	0	0	0	0	0	1	1	1	1	1	1
Green	0	0	0	0	0	0	1	1	1	1	1	1	0	0	0	0	0	0
Cyan	0	0	0	0	0	0	1	1	1	1	1	1	1	1	1	1	1	1
Red	1	1	1	1	1	1	0	0	0	0	0	0	0	0	0	0	0	0
Magenta	1	1	1	1	1	1	0	0	0	0	0	0	1	1	1	1	1	1
Yellow	1	1	1	1	1	1	1	1	1	1	1	1	0	0	0	0	0	0
White	1	1	1	1	1	1	1	1	1	1	1	1	1	1	1	1	1	1

Gray Scale of Red / Green / Blue	Data Signal						Gray Level (decimal)
	RGB	RGB	RGB	RGB	RGB	RGB	
Black	5	4	3	2	1	0	= 0
Darker	0	0	0	0	0	1	= 1
↑	0	0	0	0	1	0	= 2
:	0	0	0	0	1	1	= 3
:	:	:	:	:	:	:	:
:	:	:	:	:	:	:	:
:	:	:	:	:	:	:	:
↓	1	1	1	1	0	1	= 61
Brighter	1	1	1	1	1	0	= 62
Red / Green / Blue	1	1	1	1	1	1	= 63

0 = Low Level Voltage

1 = High Level Voltage



SPECIFICATIONS

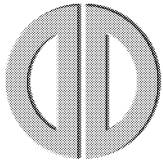
TITLE : 6,4" TFT COLOR MODULE

NUMBER : HLD 0604 HIBRITE REV.A PAGE 10

3-3-8 Interface Timing Specification

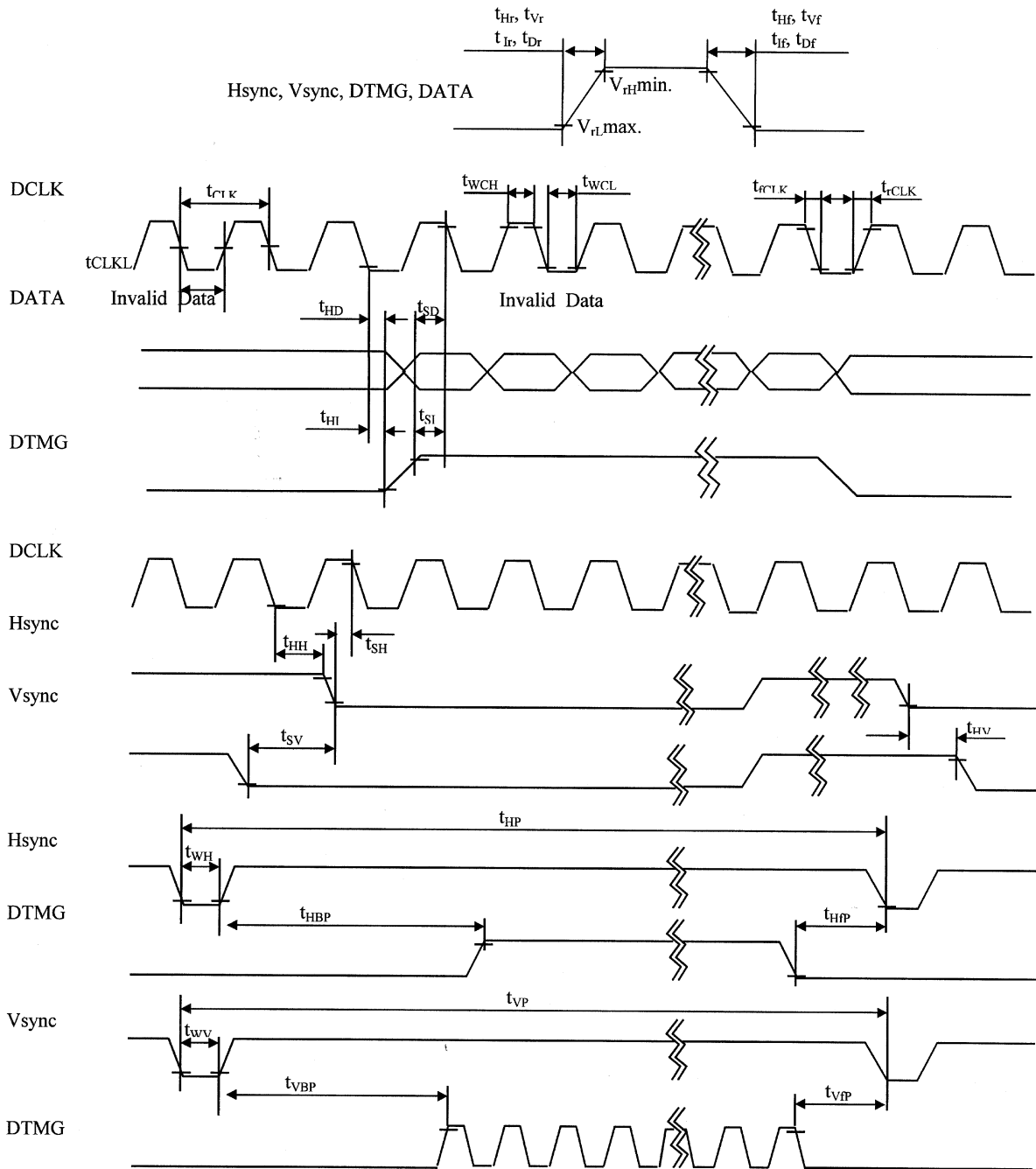
	Parameter	Symbol	Min	Typ	Max	Unit
DCLK	Frequency	fCLK	-	25	28	MHz
	Width Low	twCL	7	-	-	ns
	Width High	twCH	7	-	-	
	Rise Time	t _r CLK	7	-	-	
	Fall Time	t _f CLK	7	-	-	
	Duty (D=t _{CLKL} /t _{CLK})	D	0.45	0.50	0.55	
HS	Set up time	t _{SH}	3	-	-	ns
	Hold time	t _{HH}	8	-	-	t _{CLK}
	Period	t _{HP76}	7	800	880	
	Width Active	t _{WH}	12	96	200	
	Rise / Fall time	t _{Hr} / t _{Hf}	-	-	30	ns
VS	Setup time	t _{SV}	0	-	-	t _{CLK}
	Hold time	t _{HV}	2	-	-	
	Period	t _{VP}	515	525	560	t _{HP}
	Width Active	t _{WV}	1	2	34	t _{HP}
	Rise / Fall time	t _{Vr} / t _{Vf}	-	-	50	line
DTMG	Set up time (for DCLK)	t _{SI}	3	-	-	ns
	Hold time (for DCLK)	t _{HI}	8	-	-	
	Horizontal Backporch	t _{HBP}	-	48	-	t _{CLK}
	Horizontal Frontporch	t _{HFP}	-	16	-	
	Vertical Backporch	t _{HBP}	-	32	-	t _{HP}
	Vertical Frontporch	t _{HFP}	-	11	-	ns
	Rise / Fall time	t _r / t _f	-	-	30	
DATA	Set up time (for DCLK)	t _{SD}	7	-	-	ns
	Hold time (for DCLK)	t _{HD}	14	-	-	
	Rise / Fall time	t _{Dr} / t _{Df}	-	-	25	

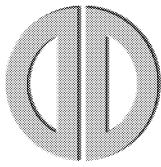
Note : Setup, Hold, Rise and Fall times are preliminary values (TBD finally)



SPECIFICATIONS

3-3-9 Signal Timing Waveform (Data latched at falling edge of DCLK)





SPECIFICATIONS

4. DEFINITION AND MEASURING METHOD

- Note 1) Viewing Angle, Contrast Ratio, Response Time, Reflectance and Chromaticity are measured in a dark room at panel center.
- 2) Brightness and Brightness Uniformity are measured at 5 points as described in Fig. 4
- 3) Backlight is warmed up for more than 15 minutes to make its condition stable.

4-1 Viewing Angle

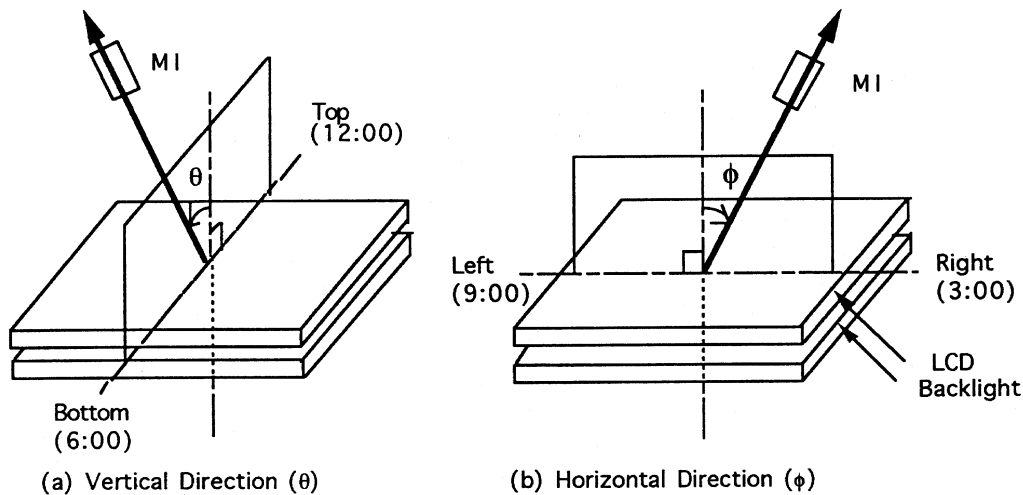


Figure 1

4-2 Optical Measurement

4-2-1 Measurement Instrument (MI)

Luminance & Chromaticity : PHOTORESEARCH / PRITCHARD 1980B/SS or
TOPCON / Color Luminance Meter BM5(A)

Response Time : PRITCHARD 1980/SS or photomultiplier

Measurement Diameter : 5 ... 10 mm

4-2-2 Module Driving Conditions

Frame Frequency : 60 Hz

Supply Voltage : Refer to Section 3-3-1

Backlight Supply Current : Refer to Section 3-3-2

以上内容仅为本文档的试下载部分，为可阅读页数的一半内容。如要下载或阅读全文，请访问：<https://d.book118.com/487001112024006113>