

Module 8 Unit 1

It's on your desk.



Guess: What's this?



It's a pen.



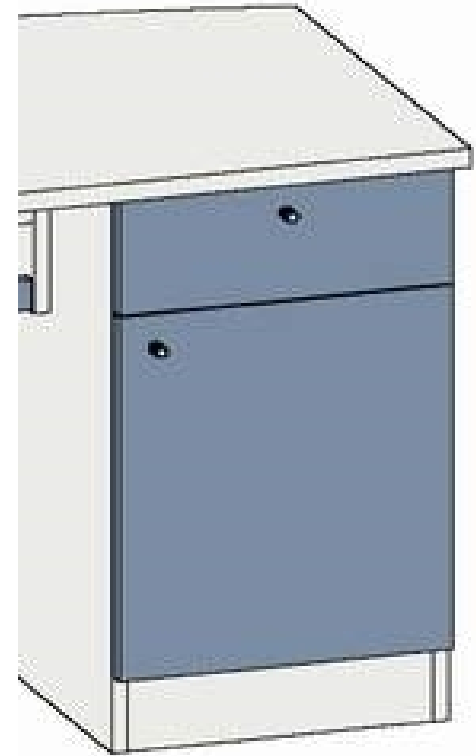
Guess: What's this?



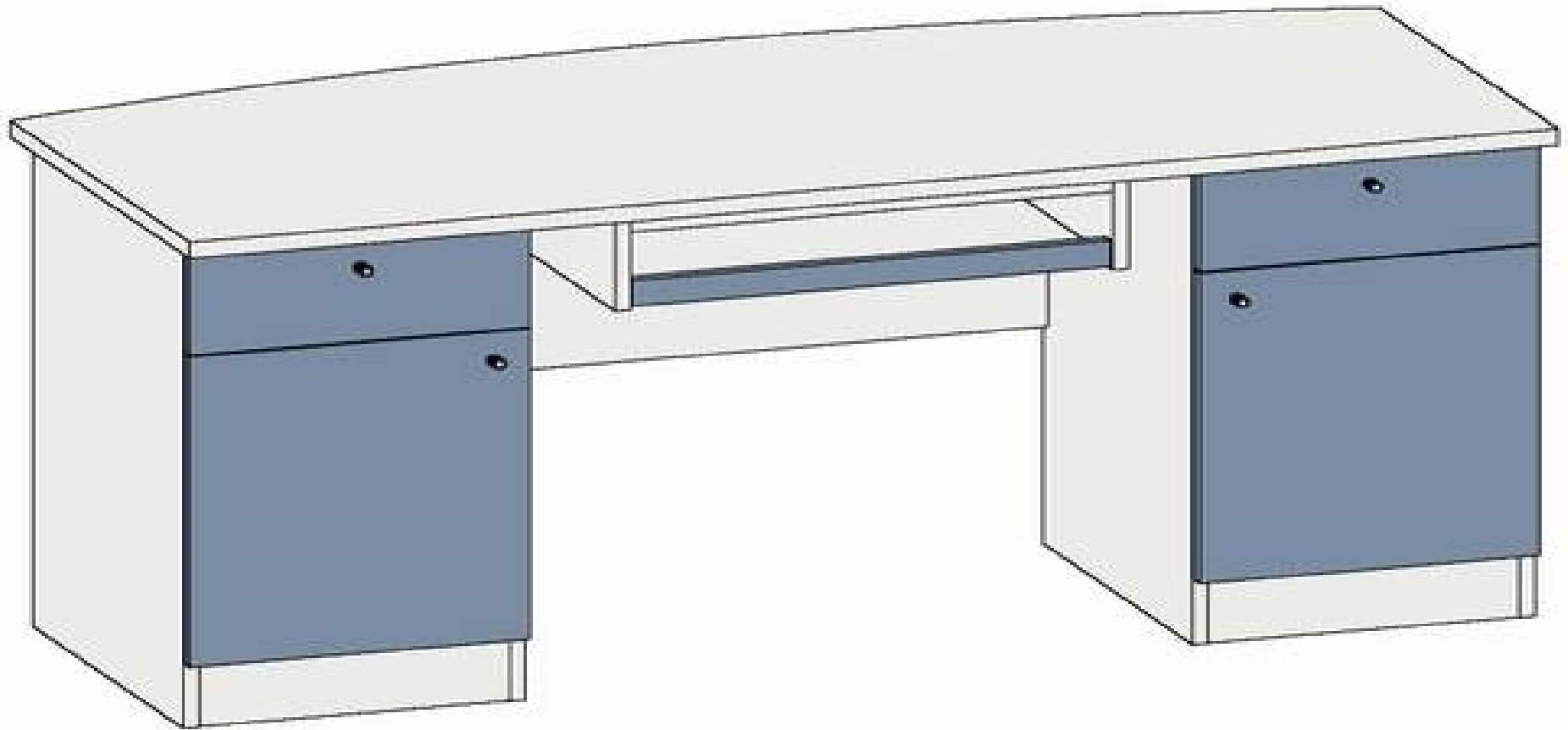


It's a school bag.

Guess: What's this?



It's a desk.



Guess: What's this?



It's a book.





Guess: What's this?

It's a pencil.



Guess: What's this?



It's a **cat**.





Guess: What's this?



It's a dog.



Guess: What's this?



It's a hat.





bedroom=bed+room

卧室

以上内容仅为本文档的试下载部分，为可阅读页数的一半内容。如要下载或阅读全文，请访问：<https://d.book118.com/497062066165006110>